



MicroNOC  
CEP30  
10 YEAR  
WARRANTY



SCAN ME FOR MORE INFORMATION!

# CVP EMERGENCY POWER SYSTEM CEP30

**UL924 CERTIFIED**  
**Emergency**, Standby, Backup Li-Battery Power System  
National Electrical 700 and Building Codes Compliant

# CEP30 FEATURES AND BENEFITS




MicroNOC's CEP series provides Property Owners, Managers, Builders, and Professional Engineers clean **UL924 Certified Emergency Power System**. Designed and integrated with full compliance of National Electrical Code (NEC) 700 and building electrification code compliance of 90 minute power for accessible means of egress emergency loads such as Elevators and lifts, during a utility power outage.

CEP30 is the only battery powered backup system configured using automated islanding and self-rechargeable Li-Energy Storage System providing 90 minute operations of a designated emergency elevator's full load and capable of absorbing elevator's regenerative braking power supply for recharge. Assuring building stakeholders the best alternative to gensets.



## STANDARDIZED COMPACT DESIGN WITH 10YEARS WARRANTY

- ACCOMMODATES VARIOUS ELEVATOR MAKES, MODELS, AND MOTOR POWER SIZINGS (HP)

**Sizing CEP 30 for various Motor AMPS based on 208V, 3 Phase System**

Elevators	Controller Name Plate	15-25HP	32-40HP	52HP
	Calculated Continuous Full Load (AC AMPS)	49-81	104-130	169
CEP 30		CEP 30 84 AMP 	(x2) CEP 30 168 AMP 	(x3) CEP 30 252 AMP 

**Sizing CEP 30 for various Motor AMPS based on 480V, 3 Phase System**

Elevators	Controller Name Plate	15-25HP	32-52HP
	Calculated Continuous Full Load (AC AMPS)	21-36	45-73
CEP 30		CEP 30 37 AMP 	(x2) CEP 30 74 AMP 

- SAVE FLOOR SPACE WITH LONGER LIFE CYCLE USING COMPACT LI-BATTERY SYSTEM

## FULLY AUTOMATED, EASY MANAGEMENT WITH REGEN POWER

- CEP COMES WITH ENERGY MANAGEMENT, CHARGING/DISCHARGING CONTACTOR, AND REGENERATIVE BRAKING POWER AUTOMATED CONTROL UNITS.
- TRACKING AND LOG FILING OF BATTERY SYSTEM STATE OF CHARGE (SOC), STATE OF HEALTH (SOH), AND OPERATIONS.



- Quickly view remaining backup time, system mode and status on user friendly LCD touchscreen ①.
- Smart Energy Management System (EMS) safely turns regen power into extended backup time ②.
- Support optional communication interface via ethernet or USB-A ports ③.



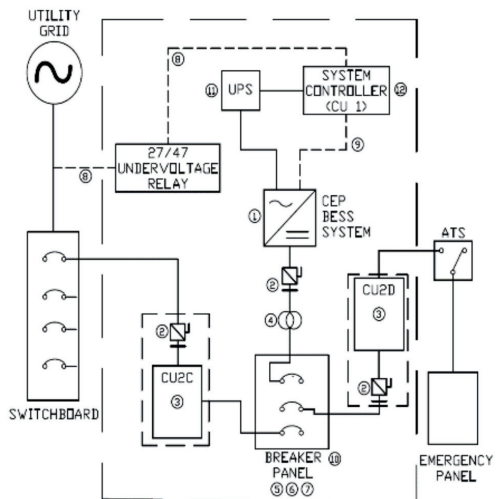
- The CU2 units consist of standardized contactor units to sequence CEP system operation according to presence/absence of grid power.



- Unlike a conventional UPS, CEP bi-directional inverter system enable to absorb and charge energy produced by elevator's regenerative power through CU3 Control Unit.

## NEC700 CODE COMPLIANCE READY

- DESIGNED AND CONFIGURED BY LICENSED ELECTRICAL P.E.
- STANDARDIZED SYSTEM FROM CODE REQUIREMENTS ENSURES SIMPLE ADAPTATION OF SOLUTION FOR CODE COMPLIANCE



# Specifications

## General

<b>Certification</b>	UL924 / UN38.3 / ASCE 7 / UL9540
<b>Power offering (KW)</b>	30, 60, 90
<b>Efficiency</b>	95%

## Input Characteristics

<b>Voltage</b>	208V, 3 Phase. 4 Wire; 480V, 3 phase, 3 wire
<b>Voltage range</b>	348V-432V
<b>Frequency range</b>	60 Hz

## Battery

<b>Battery Type</b>	Lithium Iron Phosphate (LFP)
<b>Nominal Capacity (kWh)</b>	56.8
<b>Battery Packs</b>	12

## Output

<b>Voltage</b>	208V, 3 Phase. 4 Wire; 480V, 3 phase, 3 wire
<b>Frequency</b>	60 Hz

## Physical

<b>Lithium Battery (Includes Rack and Inverter)</b>	34.76" W, 32.6" D, 70.87" H
---	-----------------------------

# CEP FAQ

## **How does CEP system work to provide emergency power?**

- When commercial power is present the CEP system charges its batteries. When it reaches its designated SOC (state of charge or designated level of charge), it stops charging.
- When commercial power is lost the CEP system begins discharging emergency power for 90 minutes.
- When commercial power is restored, the CEP shall stop discharging and will either begin charging or go into standby mode depending on the SOC.

## **What type of batteries are used?**

- Lithium iron phosphate.

## **What are the dimensions of the CEP30 kW rated system?**

- 34.76" W, 32.6" D, 70.87" H

## **How long does the CEP system last and what is the warranty period?**

- The system lasts for 10 years and has a warranty for 10 years.

## **Does the CEP have a control system?**

- Yes. It is called an Energy Management System.

## **Does the CEP system handle regenerative power?**

- Yes. This capability differentiates the CEP system from a UPS system, which cannot handle/ absorb regenerative power.

## **What kW/ kWh ratings are available for the CEP system?**

- 30 kW/ 56 kWh, 60 kW/ 113 kWh and 90 kW/ 170 kWh.

## **What operating voltages are available for the CEP systems?**

- CEP Systems are rated at 208V, 3 phase and 480V, 3 Phase.

# CEP

UL924 Certified

NEC and IBC Compliant

**CVP Emergency Power System**



[www.90minPower.com](http://www.90minPower.com)



[info@micronocinc.com](mailto:info@micronocinc.com)



(949) 398-7430

